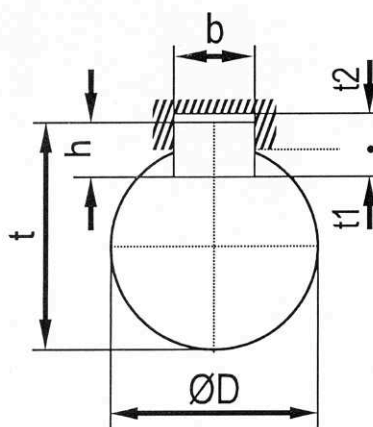


Chavetas Conf. DIN 6885 A e B - Comprimento

l	b h	2	3	4	5	6	8	10	12	14	16	18	20	22	25	28	32	36	40	45	50	56
		2	3	4	5	6	7	8	8	9	10	11	12	14	14	16	18	20	22	25	28	32
6	X	X																				
8	X	X	X																			
10	X	X	X	X																		
12	X	X	X	X	X																	
14	X	X	X	X	X	X																
16	X	X	X	X	X	X	X															
18	X	X	X	X	X	X	X	X														
20	X	X	X	X	X	X	X	X	X													
22		X	X	X	X	X	X	X	X													
25		X	X	X	X	X	X	X	X	X												
28		X	X	X	X	X	X	X	X	X	X											
32		X	X	X	X	X	X	X	X	X	X	X										
36		X	X	X	X	X	X	X	X	X	X	X	X									
40			X	X	X	X	X	X	X	X	X	X	X	X								
45			X	X	X	X	X	X	X	X	X	X	X	X	X							
50				X	X	X	X	X	X	X	X	X	X	X	X	X						
56				X	X	X	X	X	X	X	X	X	X	X	X	X	X					
63					X	X	X	X	X	X	X	X	X	X	X	X	X	X				
70					X	X	X	X	X	X	X	X	X	X	X	X	X	X	X			
80						X	X	X	X	X	X	X	X	X	X	X	X	X	X	X		
90							X	X	X	X	X	X	X	X	X	X	X	X	X	X	X	
100								X	X	X	X	X	X	X	X	X	X	X	X	X	X	X
110								X	X	X	X	X	X	X	X	X	X	X	X	X	X	X
125									X	X	X	X	X	X	X	X	X	X	X	X	X	X
140									X	X	X	X	X	X	X	X	X	X	X	X	X	X
160										X	X	X	X	X	X	X	X	X	X	X	X	X
180											X	X	X	X	X	X	X	X	X	X	X	X
200												X	X	X	X	X	X	X	X	X	X	X
220													X	X	X	X	X	X	X	X	X	X
250														X	X	X	X	X	X	X	X	X
280															X	X	X	X	X	X	X	X
320																X	X	X	X	X	X	X
360																	X	X	X	X	X	X
400																		X	X	X	X	X

Dimensões de chavetas conforme DIN 6885: bxh

Ø D	b x h	t1	t2
10 < D ≤ 12	4 x 4	2,5	1,8
12 < D ≤ 17	5 x 5	3,0	2,3
17 < D ≤ 22	6 x 6	3,5	2,8
22 < D ≤ 30	8 x 7	4,0	3,3
30 < D ≤ 38	10 x 8	5,0	3,3
38 < D ≤ 44	12 x 8	5,0	3,3
44 < D ≤ 50	14 x 9	5,5	3,8
50 < D ≤ 58	16 x 10	6,0	4,3
58 < D ≤ 65	18 x 11	7,0	4,4
65 < D ≤ 75	20 x 12	7,5	4,9
75 < D ≤ 85	22 x 14	9,0	5,4
85 < D ≤ 95	25 x 14	9,0	5,4
95 < D ≤ 110	28 x 16	10,0	6,4
110 < D ≤ 130	32 x 18	11,0	7,4



$$t = \text{Ø D} + (h - t1)$$